

PALM BEACH®

Polysatin Shutters

HunterDouglas

window fashions

SHUTTER ARCH & SPECIALTY ORDER FORM

Account Number: _____

Sold To: _____

Ship to: _____

Page _____ of _____ Pages

Order No. _____

Order Date: _____

Tag: _____

LEGEND	Types of Arch or Specialty Shape: <ul style="list-style-type: none"> • Arch = ARC • Extended Arch = XTARC • Complete Circle = CIR • Quarter Circle = QTCIR • Eyebrow = EBR 	<ul style="list-style-type: none"> • Extended Eyebrow = XTEBR • Angle = ANG • Hexagon = HEX • Octagon = OCT 	COLORS White = W (137) White Silk = WS (051) Off White = OW (169)	<input type="checkbox"/> Front Tilt-bar <input type="checkbox"/> Rear Tilt-bar <i>* All Arches are Inside Mount ONLY</i>	LOUVER SIZE 4 1/2", 3 3/8" or 2 3/8" Installation Hardware - Magnets - Ball and Clasp	VERTICAL ARCH SUPPORT 0" - 36" Wide = 0 36 1/8" - 72" Wide = 1 *72 1/8" - 96" Wide = 2 *For these sizes mark location of supports on order.
---------------	--	---	--	--	---	---

COMPLETE ORDER PORTION BELOW

A

- Please draw shape following the templates on the back of this page. Each measurement should be marked with the corresponding letter of alphabet.
- If you have shutters being installed directly beneath this item, please make sure you mark the location of the vertical supports to line up with the panels below them.

Colour Qty Location (Tag)

Type of Arch Louver Size Bottom Lip on Fascia Yes No

Telescopic Pole (8 ft.) Yes No

Installation Hardware Magnets Ball and Clasp Super Magnets

***Templates need to be sent in rolled tube and should indicate Reference#, Tag Name, and mark "FRONT" side of template**

Note:
Signature required below.

B

- Please draw shape following the templates on the back of this page. Each measurement should be marked with the corresponding letter of alphabet.
- If you have shutters being installed directly beneath this item, please make sure you mark the location of the vertical supports to line up with the panels below them.

Colour Qty Location (Tag)

Type of Arch Louver Size Bottom Lip on Fascia Yes No

Telescopic Pole (8 ft.) Yes No

Installation Hardware Magnets Ball and Clasp Super Magnets

***Templates need to be sent in rolled tube and should indicate Reference#, Tag Name, and mark "FRONT" side of template**

Note:
Signature required below.

The above listed shutters will be custom fabricated to the specifications detailed above. Once materials are cut, the order cannot be cancelled. This order submitted according to Shade-O-Matic's General Terms and Conditions of Sale.

Name (please print) _____

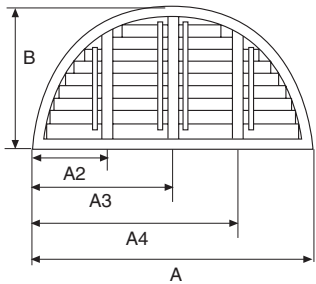
Customer's Signature _____

Customer's E-Mail _____

Customer's Phone# _____

ARCH (ARC)

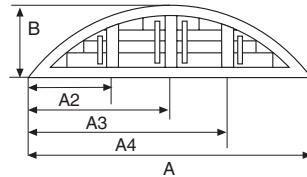
A = Minimum 28 inches
B = Minimum 14 inches



When B = 1/2 of A Template
Not Required (Perfect arch)
Otherwise Provide Template

EYEBROW (EBR)

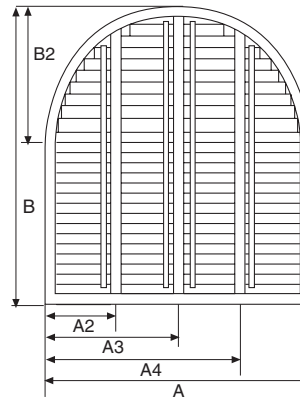
A = Minimum 24 inches
B = Minimum 12 inches



Template Required

EXTENDED ARCH (XTARC)

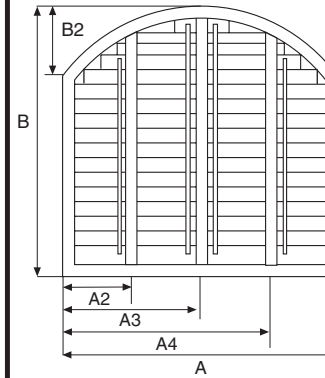
A = Minimum 28 inches
B2 = Minimum 14 inches



When B2 = 1/2 of A Template
Not Required (Perfect arch)
Otherwise Provide Template

EXTENDED EYEBROW (XTEBR)

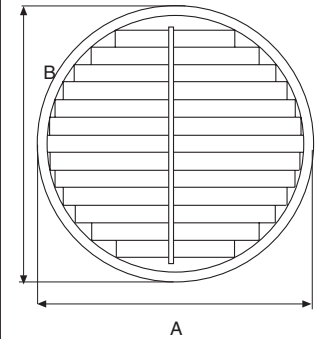
A = Minimum 24 inches
B2 = Minimum 12 inches



B2 Template Required

COMPLETE CIRCLE (CIR)

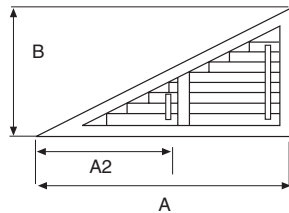
A & B = Minimum 28 inches



When A = B Template
Not Required (Perfect circle)
Otherwise Provide Template

ANGLE (ANG)

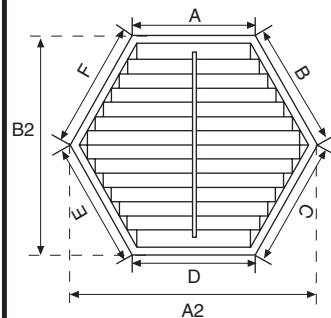
A = Minimum 24 inches
B = Minimum 12 inches



Template Not Required

HEXAGON (HEX)

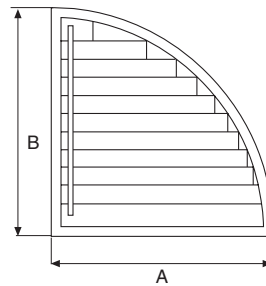
Minimum 8 inches per section



Template Not Required

QUARTER CIRCLE (QTCIR)

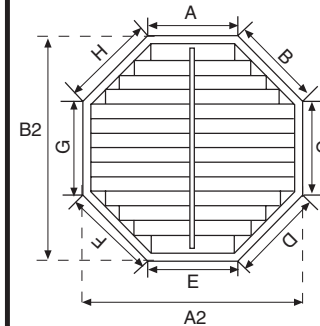
A = Minimum 14 inches
B = Minimum 14 inches



When A = B
Template Not Required
Otherwise Provide Template

OCTAGON (OCT)

Minimum 8 inches per section



Template Not Required

NOTES:

- All measurements are inside tight.
- A 1/8" deduction will be taken all around the perimeter of the shutter if more is required please specify on the order.
- The frame is only inside mount and has a 2" overall fascia. This frame provides a 3/4" lip as a light stop.
- All arches and specialty shapes have fully operable louvers (Tiltbar - Palmetto Style) but they are not hinged (panels do not open).